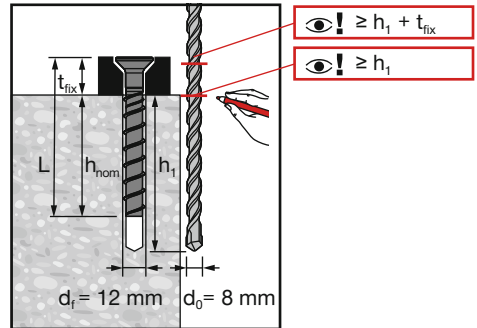
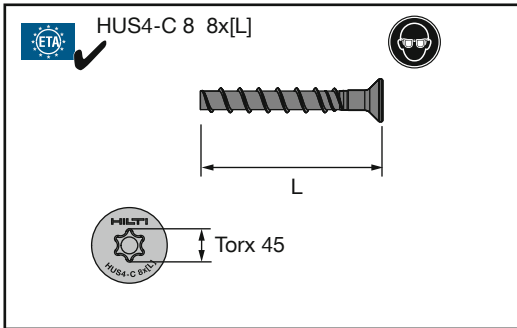




2310566-03.2025

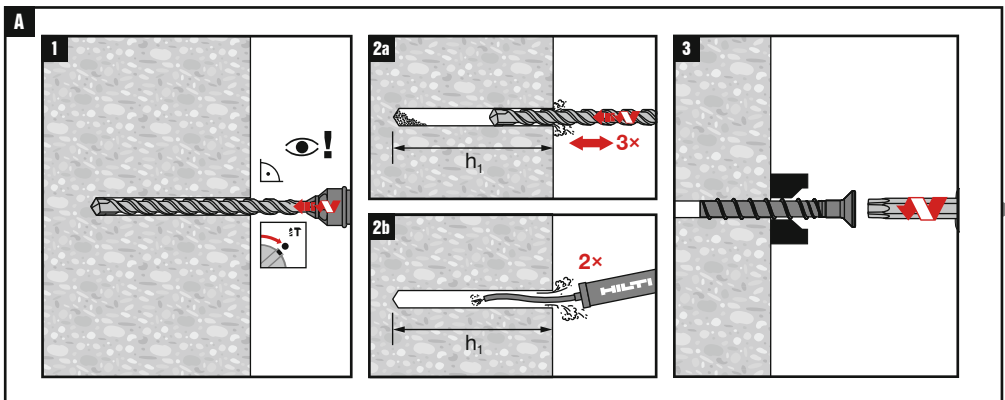
① CE 25 Hilti AG LI-9494 Schaan Hilti Werke 2873-CPR-201-72 ETA-20/0867 Notified body 2873 EAD 330232-01-0601 Product for fixing to- or connecting/supporting of building structures www.hilti.group	② CE 25 Hilti AG, LI-9494 Schaan Hilti Werke 2873-CPR-201-83 ETA-23/0936 Notified body 2873 EAD 330460-00-0604 Product for fixing to- or connecting/supporting of building structures www.hilti.group		①	②
		HUS4-C 8×55	✓	
		HUS4-C 8×75	✓	✓
		HUS4-C 8×120	✓	✓
		HUS4-C 8×160	✓	✓
HUS4-C 8×85	✓	✓		



	$h_{\text{nom}}$ [mm]
ETA ✓	$\geq 40$

	$h_1 = h_{\text{nom}} + 25 \text{ mm}$	<b>2a</b>
	$h_1 = h_{\text{nom}} + 10 \text{ mm}$	<b>2b</b>

	✓	
	✓	
	✓	
	✗	
	✗	
	✗	



**4 optional**

**4a**

max. 10 mm  
max. 2x

**4b**

$h_{nom}$   
max. 10 mm

	$h_{nom}$ [mm]	
	< 60	
	≥ 60	

**5**

**B**

Hilti TD ✓

ETA ✗

≥ 30 mm

**1**

e.g. PS 50, PS 300

**2**

≥ 50 mm

**3**

**4**

**5**