

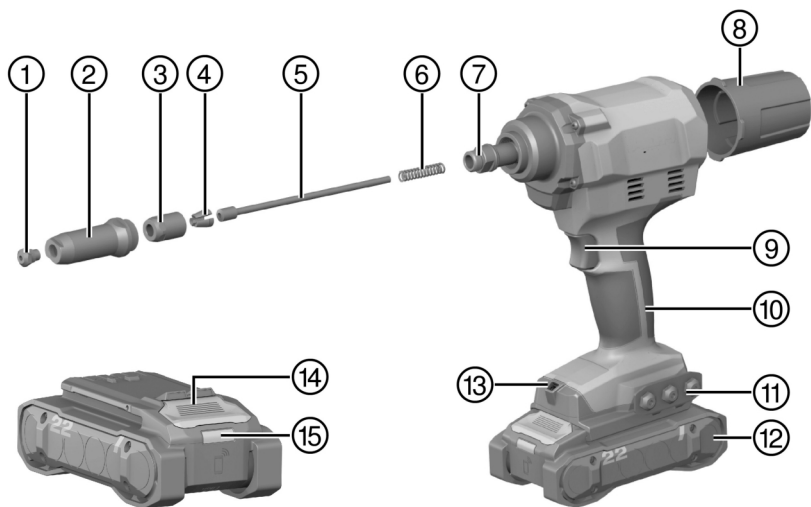


RT 6-22 (02)

NUON

English
עברית

1
13



RT 6-22 (02)

en	Original operating instructions	1
he	הוראות הפעלה מקוריות	13

Original operating instructions

1 Information about the operating instructions

1.1 About these operating instructions

- **Warning!** Read and understand all accompanying documentation, including but not limited to instructions, safety warnings, illustrations, and specifications provided with this product. Familiarize yourself with all the instructions, safety warnings, illustrations, specifications, components, and functions of the product before use. Failure to do so may result in electric shock, fire, and/or serious injury. Save all warnings and instructions for future reference.
- products are designed for professional users and only trained, authorized personnel are permitted to operate, service and maintain the products. This personnel must be specifically informed about the possible hazards. The product and its ancillary equipment can present hazards if used incorrectly by untrained personnel or if used not in accordance with the intended use.
- The accompanying documentation corresponds to the current state of the art at the time of printing. Please always check for the latest version on the product's page on Hilti's website. To do this, follow the link or scan the QR code in this documentation, marked with the symbol .
- Ensure that these operating instructions are with the product when it is given to other persons.

1.2 Explanation of symbols

1.2.1 Warnings

Warnings alert persons to hazards that occur when handling or using the product. The following signal words are used:

DANGER

DANGER !

- ▶ Draws attention to imminent danger that will lead to serious personal injury or fatality.

WARNING

WARNING !

- ▶ Draws attention to a potential threat of danger that can lead to serious injury or fatality.

CAUTION

CAUTION !

- ▶ Draws attention to a potentially dangerous situation that could lead to personal injury or damage to the equipment or other property.

1.2.2 Symbols in the operating instructions

The following symbols are used in these operating instructions:

	Comply with the operating instructions
	Instructions for use and other useful information
	Dealing with recyclable materials
	Do not dispose of electric equipment and batteries as household waste
	Hilti Li-ion battery
	Hilti charger

1.2.3 Symbols in illustrations

The following symbols are used in illustrations:

- 2** These numbers refer to the illustrations at the beginning of these operating instructions.



3	The numbers in illustrations refer to important work steps or to components important for the work steps. In the text, the corresponding numbers draw attention to these work steps or components, e.g. (3).
	Item reference numbers are used in the overview illustration and refer to the numbers used in the key in the product overview section.
	This symbol is intended to draw your special attention to certain points for handling the product.

1.3 Product-dependent symbols

1.3.1 Symbols on the product

The following symbols can be used on the product:

	Wear eye protection
	Wear ear protection
	Wear a hard hat
---	Direct current (DC)
	The product supports near-field communication (NFC) technology compatible with iOS and Android platforms.
Li-Ion	Li-ion battery
	Never use the battery as a striking tool.
	Do not drop the battery. Never use a battery that has suffered an impact or is damaged in any other way.

2 Safety

2.1 General power tool safety warnings

⚠ WARNING Read all safety warnings, instructions, illustrations and specifications provided with this power tool. Failure to follow all instructions listed below may result in electric shock, fire and/or serious injury. **Save all warnings and instructions for future reference.**

The term "power tool" in the warnings refers to your mains-operated (corded) power tool or battery-operated (cordless) power tool.

Work area safety

- ▶ **Keep work area clean and well lit.** Cluttered or dark areas invite accidents.
- ▶ **Do not operate power tools in explosive atmospheres, such as in the presence of flammable liquids, gases or dust.** Power tools create sparks which may ignite the dust or fumes.
- ▶ **Keep children and bystanders away while operating a power tool.** Distractions can cause you to lose control.

Electrical safety

- ▶ **Power tool plugs must match the outlet. Never modify the plug in any way. Do not use any adapter plugs with earthed (grounded) power tools.** Unmodified plugs and matching outlets will reduce risk of electric shock.
- ▶ **Avoid body contact with earthed or grounded surfaces, such as pipes, radiators, ranges and refrigerators.** There is an increased risk of electric shock if your body is earthed or grounded.
- ▶ **Do not expose power tools to rain or wet conditions.** Water entering a power tool will increase the risk of electric shock.
- ▶ **Do not abuse the cord. Never use the cord for carrying, pulling or unplugging the power tool. Keep cord away from heat, oil, sharp edges or moving parts.** Damaged or entangled cords increase the risk of electric shock.
- ▶ **When operating a power tool outdoors, use an extension cord suitable for outdoor use.** Use of a cord suitable for outdoor use reduces the risk of electric shock.



- ▶ **If operating a power tool in a damp location is unavoidable, use a residual current device (RCD) protected supply.** Use of an RCD reduces the risk of electric shock.

Personal safety

- ▶ **Stay alert, watch what you are doing and use common sense when operating a power tool. Do not use a power tool while you are tired or under the influence of drugs, alcohol or medication.** A moment of inattention while operating power tools may result in serious personal injury.
- ▶ **Use personal protective equipment. Always wear eye protection.** Protective equipment such as a dust mask, non-skid safety shoes, hard hat or hearing protection used for appropriate conditions will reduce personal injuries.
- ▶ **Prevent unintentional starting. Ensure the switch is in the off-position before connecting to power source and/or battery pack, picking up or carrying the tool.** Carrying power tools with your finger on the switch or energising power tools that have the switch on invites accidents.
- ▶ **Remove any adjusting key or wrench before turning the power tool on.** A wrench or a key left attached to a rotating part of the power tool may result in personal injury.
- ▶ **Do not overreach. Keep proper footing and balance at all times.** This enables better control of the power tool in unexpected situations.
- ▶ **Dress properly. Do not wear loose clothing or jewellery. Keep your hair and clothing away from moving parts.** Loose clothes, jewellery or long hair can be caught in moving parts.
- ▶ **If devices are provided for the connection of dust extraction and collection facilities, ensure these are connected and properly used.** Use of dust collection can reduce dust-related hazards.
- ▶ **Do not let familiarity gained from frequent use of tools allow you to become complacent and ignore tool safety principles.** A careless action can cause severe injury within a fraction of a second.

Power tool use and care

- ▶ **Do not force the power tool. Use the correct power tool for your application.** The correct power tool will do the job better and safer at the rate for which it was designed.
- ▶ **Do not use the power tool if the switch does not turn it on and off.** Any power tool that cannot be controlled with the switch is dangerous and must be repaired.
- ▶ **Disconnect the plug from the power source and/or remove the battery pack, if detachable, from the power tool before making any adjustments, changing accessories, or storing power tools.** Such preventive safety measures reduce the risk of starting the power tool accidentally.
- ▶ **Store idle power tools out of the reach of children and do not allow persons unfamiliar with the power tool or these instructions to operate the power tool.** Power tools are dangerous in the hands of untrained users.
- ▶ **Maintain power tools and accessories. Check for misalignment or binding of moving parts, breakage of parts and any other condition that may affect the power tool's operation. If damaged, have the power tool repaired before use.** Many accidents are caused by poorly maintained power tools.
- ▶ **Keep cutting tools sharp and clean.** Properly maintained cutting tools with sharp cutting edges are less likely to bind and are easier to control.
- ▶ **Use the power tool, accessories and tool bits etc. in accordance with these instructions, taking into account the working conditions and the work to be performed.** Use of the power tool for operations different from those intended could result in a hazardous situation.
- ▶ **Keep handles and grasping surfaces dry, clean and free from oil and grease.** Slippery handles and grasping surfaces do not allow for safe handling and control of the tool in unexpected situations.

Battery tool use and care

- ▶ **Recharge only with the charger specified by the manufacturer.** A charger that is suitable for one type of battery pack may create a risk of fire when used with another battery pack.
- ▶ **Use power tools only with specifically designated battery packs.** Use of any other battery packs may create a risk of injury and fire.
- ▶ **When battery pack is not in use, keep it away from other metal objects, like paper clips, coins, keys, nails, screws or other small metal objects, that can make a connection from one terminal to another.** Shorting the battery terminals together may cause burns or a fire.
- ▶ **Under abusive conditions, liquid may be ejected from the battery; avoid contact. If contact accidentally occurs, flush with water. If liquid contacts eyes, additionally seek medical help.** Liquid ejected from the battery may cause irritation or burns.
- ▶ **Do not use a battery pack or tool that is damaged or modified.** Damaged or modified batteries may exhibit unpredictable behaviour resulting in fire, explosion or risk of injury.
- ▶ **Do not expose a battery pack or tool to fire or excessive temperature.** Exposure to fire or temperature above 130° C (265 °F) may cause explosion.



- ▶ **Follow all charging instructions and do not charge the battery pack or tool outside the temperature range specified in the instructions.** Charging improperly or at temperatures outside the specified range may damage the battery and increase the risk of fire.

Service

- ▶ **Have your power tool serviced by a qualified repair person using only identical replacement parts.** This will ensure that the safety of the power tool is maintained.
- ▶ **Never service damaged battery packs.** Service of battery packs should only be performed by the manufacturer or authorized service providers.

2.2 Additional safety instructions

Personal safety

- ▶ Never tamper with or modify the product or accessories in any way.
- ▶ Use the product and accessories only when they are in perfect working order.
- ▶ Do not use the product for purposes for which it was not intended. Use it only as directed and when in faultless condition.
- ▶ The product is designed exclusively for setting blind rivets.
- ▶ Never use the product without the mandrel container installed.
- ▶ Before beginning work, check that the mandrel container is installed securely.
- ▶ To reduce the risk of injury use only genuine **Hilti** accessories and spare parts or those of equivalent quality.
- ▶ Risk of injury by falling tools and/or accessories. Before starting work, check that the battery and installed accessories are secure.
- ▶ Do not use a nosepiece holder to lift the product.
- ▶ Do not use a nosepiece holder to hang up the product.
- ▶ Keep the air vents clear at all times. Risk of burn injuries due to blocked air vents!
- ▶ Use only fasteners of a type approved for use with the product.
- ▶ Never point the product toward yourself or other persons.
- ▶ Never press the nosepiece of the product against your hand or against any other part of your body (or other person's hand or part of their body).
- ▶ Drive the fasteners into metal only. Do not attempt to drive fasteners into other materials.
- ▶ Pull the trigger only when the nosepiece of the product is in contact with the working surface and the tool is fully compressed.
- ▶ When driving fasteners, always hold the product at right angles to the working surface in order to prevent the fastener from being deflected by the material.
- ▶ Never re-attempt to drive a fastener, because this can cause breakage.
- ▶ Switch the product on only after you have brought it to the working position.
- ▶ Never leave the product unattended.
- ▶ Always remove the rivet before cleaning, servicing or carrying out maintenance work on the tool.
- ▶ Unload (remove blind rivet) the products when they are not being used and store the blind rivets in a locked, dry place inaccessible to children.
- ▶ Do not disassemble the product while it is hot. If this is unavoidable, wear protective gloves.
- ▶ Do not use the product if parts are damaged or if operating controls do not function faultlessly. Have the product repaired by **Hilti Service**.
- ▶ Do not look directly into the light source (LED) of the product and do not aim the beam at other persons' faces. Risk of dazzling or eye damage.

Safety at the workplace

- ▶ Keep the workplace tidy. Objects which could cause injury should be removed from the working area.
- ▶ You and all other persons in the vicinity must wear suitable eye protection, a hard hat, ear protection and protective gloves while the tool is in use.
- ▶ Keep product and blind rivets locked away and always inaccessible to children.
- ▶ Keep children and other persons away from the working area.
- ▶ Before driving fasteners, check that no one is present on the other side of the sheet metal to be fastened.

2.3 Careful handling and use of batteries

- ▶ **Comply with the following safety instructions for the safe handling and use of Li-ion batteries.** Failure to comply can lead to skin irritation, severe corrosive injury, chemical burns, fire and/or explosion.
- ▶ Use only batteries that are in perfect working order.



- ▶ Treat batteries with care in order to avoid damage and prevent leakage of fluids that are extremely harmful to health!
- ▶ Do not under any circumstances modify or tamper with batteries!
- ▶ Do not disassemble, crush or incinerate batteries and do not subject them to temperatures over 80 °C (176 °F).
- ▶ Never use or charge a battery that has suffered an impact or been damaged in any other way. Check your batteries regularly for signs of damage.
- ▶ Never use recycled or repaired batteries.
- ▶ Never use the battery or a battery-operated power tool as a striking tool.
- ▶ Never expose batteries to the direct rays of the sun, elevated temperature, sparking, or open flame. This can lead to explosions.
- ▶ Do not touch the battery poles with your fingers, tools, jewelry, or other electrically conductive objects. This can damage the battery and also cause material damage and personal injury.
- ▶ Keep batteries away from rain, moisture and liquids. Penetrating moisture can cause short circuits, electric shock, burns, fire and explosions.
- ▶ Use only chargers and power tools approved for the specific battery type. Read and follow the relevant operating instructions.
- ▶ Do not use or store the battery in explosive environments.
- ▶ If the battery is too hot to touch, it may be defective. Put the battery in a place where it is clearly visible and where there is no risk of fire, at an adequate distance from flammable materials. Allow the battery to cool down. If it is still too hot to touch after an hour, the battery is faulty. Consult **Hilti** Service or read the document entitled "Instructions on safety and use for **Hilti** Li-ion batteries".



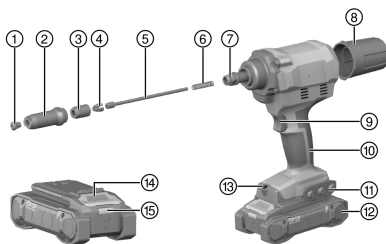
Observe the special guidelines applicable to the transport, storage and use of lithium-ion batteries.



Read the instructions on safety and use of **Hilti** Li-ion batteries that you can access by scanning the QR code at the end of these operating instructions.

3 Description

3.1 Product overview



- ① Nosepiece
- ② Steel sleeve
- ③ Jaw housing
- ④ Jaw assembly (3 jaws)
- ⑤ Jaw pusher
- ⑥ Pressure spring
- ⑦ Adapter
- ⑧ Mandrel container
- ⑨ Trigger
- ⑩ Grip
- ⑪ Nosepiece holder (removable) / installation slot for accessories
- ⑫ Battery
- ⑬ Work-area light / overload LED
- ⑭ Release button, battery
- ⑮ Battery status indicator

3.2 Intended use

The product described is a hand-held cordless blind-rivet setting tool. The product is designed exclusively for setting blind rivets.

- For this product, use only **Hilti** Nuron lithium-ion batteries of the B 22 series. For optimum performance, **Hilti** recommends the batteries stated in the table at the end of these operating instructions for this product.
- For these batteries, use only **Hilti** chargers of the type series stated in the table at the end of these operating instructions.




3.3 Items supplied

Blind-rivet setting tool, 4 nosepieces, wrench, removable mandrel container, operating instructions.
Other system products approved for use with this product can be found at your local **Hilti Store** or at: www.hilti.group

3.4 Overload protection

If an overload occurs the product switches off automatically and the overload LED flashes for 10 seconds.

 The product cannot be used during this time. Overloading is generally caused by residues in the jaw mechanism, which has to be cleaned accordingly. Follow the instructions on removing residues in the section on care and maintenance. The product should start working again once the blockage has been removed.

3.5 Status indicators of the Li-ion battery

Hilti Nuron Li-ion batteries can indicate state of charge, fault messages and the battery's state of health.

3.5.1 Indicators for state of charge and fault messages

WARNING

Risk of injury by a falling battery!

- ▶ If the release button is pressed with a battery inserted in the product, subsequently check that the battery is correctly re-engaged and secure.

Short-press the release button of the battery to get whichever of the following status indications is applicable at the time.

State of charge and, if applicable, faults are indicated constantly as long as the connected product is switched on.

Status	Meaning
Four (4) LEDs show constantly green	State of charge: 100 % to 71 %
Three (3) LEDs show constantly green	State of charge: 70 % to 51 %
Two (2) LEDs show constantly green	State of charge: 50 % to 26 %
One (1) LED shows constantly green	State of charge: 25 % to 10 %
One (1) LED slow-flashes green	State of charge: < 10 %
One (1) LED quick-flashes green	The Li-ion battery is completely discharged. Recharge the battery. If the LED again starts quick-flashing after the battery has been charged, consult Hilti Service .
One (1) LED quick-flashes yellow	The Li-ion battery or the product in which it is inserted is overloaded, too hot or too cold, or experiencing some other fault. Bring the product and the battery to the recommended working temperature and do not overload the product when it is in use. If the message persists, consult Hilti Service .
One (1) LED shows yellow	The Li-ion battery and the product in which it is inserted are not compatible. Consult Hilti Service .
One (1) LED quick-flashes red	The Li-ion battery is locked and cannot be used. Consult Hilti Service .

3.5.2 Indicators showing the battery's state of health

To check the battery's state of health, press the release button and hold it down for longer than three seconds. The system does not detect a potential malfunction of the battery due to misuse, for example battery dropped or pierced, external heat damage, etc.



Status	Meaning
All LEDs show in sequence, followed by one (1) LED showing constantly green.	The battery can remain in use.
All LEDs show in sequence, followed by one (1) LED quick-flashing yellow.	The check to ascertain the battery's state of health did not complete. Repeat the procedure, or consult Hilti Service .
All LEDs show in sequence, followed by one (1) LED showing constantly red.	If a connected product can still be used, the remaining battery capacity is below 50 %. If a connected product can no longer be used, the battery has reached the end of its useful life and has to be replaced. Consult Hilti Service .

4 Technical data

	RT 6-22
Product generation	02
Rated voltage	21.6 V
Weight in accordance with EPTA Procedure 01, without battery	1.8 kg
Stroke length	25 mm
Storage temperature	-20 °C ... 70 °C
Ambient temperature for operation	-17 °C ... 60 °C

4.1 Battery

Battery operating voltage	21.6 V
Weight, battery	See the end of these operating instructions
Ambient temperature for operation	-17 °C ... 60 °C
Storage temperature	-20 °C ... 40 °C
Battery charging starting temperature	-10 °C ... 45 °C

4.2 Noise information and vibration values

The sound pressure and vibration values given in these instructions were measured in accordance with a standardized test and can be used to compare one power tool with another. They can also be used for a preliminary assessment of exposure.

The data given represent the main applications of the power tool. However, if the power tool is used for different applications, with different accessory tools, or is poorly maintained, the data can vary. This can significantly increase exposure over the total working period.

An accurate estimation of exposure should also take into account the times when the power tool is switched off, or when it is running but not actually being used for a job. This can significantly reduce exposure over the total working period.

Identify additional safety measures to protect the operator from the effects of noise and/or vibration, for example: maintaining the power tool and accessory tools, keeping the hands warm, organization of work patterns.

Detailed information on the versions of the **EN 62841** standards applied here is to be found in the reproduction of the declaration of conformity 26.

Noise information

	RT 6-22
Sound power level L_{WA}	77 dB(A)
Uncertainty for the sound power level K_{WA}	3 dB(A)
Emission sound pressure level (L_{pA})	69 dB(A)
Uncertainty for the sound pressure level K_{pA}	3 dB(A)



Vibration information

Vibration value ah,D	B 22-85	≤ 2.5 m/s ²
Uncertainty for the given vibration value K		1.5 m/s ²

4.3 Table correlating nosepieces and blind rivets to be used


Nosepiece designation	Blind rivet diameter, all commercially available materials
RN 2.4	2.4 mm
RN 3.2	3.2 mm
RN 4.0	4.0 mm
RN 4.8	4.8 mm 5.0 mm (aluminum blind rivets only)

5 Preparations at the workplace**⚠ WARNING****Risk of injury by inadvertent starting!**

- ▶ Before inserting the battery, make sure that the product is switched off.
- ▶ Remove the battery before making any adjustments to the power tool or before changing accessories.

Observe the safety instructions and warnings in this documentation and on the product.

5.1 Charging the battery

1. Before charging the battery, read the operating instructions for the charger.
2. Make sure that the contacts on the battery and the contacts on the charger are clean and dry.
3. Use an approved charger to charge the battery.  5

5.2 Inserting the battery**⚠ WARNING****Risk of injury by short circuit or falling battery!**

- ▶ Before inserting the battery, make sure that the contacts on the battery and the contacts on the product are free of foreign matter.
- ▶ Make sure that the battery always engages correctly.

1. Charge the battery fully before using it for the first time.
2. Push the battery into the product until it engages with an audible click.
3. Check that the battery is seated securely.

5.3 Removing the battery

1. Press the battery release button.
2. Remove the battery from the product.

5.4 Fall arrest**⚠ WARNING****Risk of injury by falling tool and/or accessory!**

- ▶ Use only the **Hilti** tool tether recommended for your product.
- ▶ Prior to each use, always check the attachment point of the tool tether for possible damage.
- ▶ Do not secure a tool tether to the belt hook. Do not use a belt hook to lift the product.



Comply with the national regulations for working at heights.



As drop arrester for this product, use only a combination of the **Hilti** retaining strap and the **Hilti** tool tether #2261970.

- ▶ Remove the nosepiece holder.
- ▶ Secure the retaining strap to the installation openings for accessories. Check that it holds securely.
- ▶ Secure one carabiner of the tool tether to the retaining strap and secure the second carabiner to a load-bearing structure. Check that both carabiners hold securely.



Comply with the operating instructions of the **Hilti** retaining strap and those of the **Hilti** tool tether.

5.5 Changing the nosepiece

CAUTION

Risk of injury A blind rivet can injure you.

- ▶ Make sure there is no blind rivet in the fastening tool.

1. Press and hold down the trigger.
2. Use a ring wrench of the correct size (12 mm) to slacken the nosepiece and unscrew it.
3. Screw the new nosepiece into position.
4. Use a ring wrench of the correct size to tighten the nosepiece.

6 Operation

Observe the safety instructions and warnings in this documentation and on the product.

6.1 Setting a blind rivet

1. Install the correct nosepiece for the rivet diameter you are going to use.
2. Insert the blind rivet into the nosepiece.
3. Hold the product in position on the workpiece.



Only predrilled workpieces can be riveted.

4. Press the trigger to set the blind rivet.
5. Tilt the product to the rear so that the sheared rivet mandrel can drop into the mandrel container.

6.2 Emptying the mandrel container

CAUTION

Damage to property The jaw pusher can be damaged and the rivet can jam.

- ▶ Empty the mandrel container at regular intervals (at the latest after every 50 fastener-driving operations).

1. Turn the mandrel container counter-clockwise to remove.
2. Empty the mandrel container.
3. Screw the mandrel container back on to the product.

7 Care and maintenance

WARNING

Risk of injury with battery inserted !

- ▶ Always remove the battery before carrying out care and maintenance tasks!

Care of the product

- Carefully remove stubborn dirt.
- Carefully clean the air vents, if present, with a dry, soft brush.
- Use only a slightly damp cloth to clean the housing. Do not use cleaning agents containing silicone as these can attack the plastic parts.
- Use a dry, clean cloth to clean the contacts of the product.



Care of the Li-ion batteries

- Never use a battery with clogged air vents. Clean the air vents carefully using a dry, soft brush.
- Avoid unnecessary exposure of the battery to dust and dirt. Never expose the battery to high levels of moisture (e.g. by being dipped in water or left in the rain).
If a battery has been soaked by moisture, treat it as a damaged battery. Isolate it in a non-flammable container and consult **Hilti Service**.
- Keep the battery free of extraneous oil and grease. Do not permit dust or dirt to accumulate unnecessarily on the battery. Clean the battery with a dry, soft brush or a clean, dry cloth. Do not use cleaning agents containing silicone as these can attack the plastic parts.
Do not touch the contacts of the battery and do not remove the factory-applied grease from the contacts.
- Use only a slightly damp cloth to clean the housing. Do not use cleaning agents containing silicone as these can attack the plastic parts.

Maintenance

- Check all visible parts and controls for signs of damage at regular intervals and make sure that they all function correctly.
- Do not use the product if signs of damage are found or if parts malfunction. Immediately have the product repaired by **Hilti Service**.
- After cleaning and maintenance, install all guards and protective devices and check that they are in full working order.



To help ensure safe and reliable operation, use only genuine Hilti spare parts and consumables. Spare parts, consumables and accessories approved by **Hilti** for use with your product can be found at your **Hilti Store** or online at: www.hilti.group

7.1 Removal of metallic residues

1. Use an open-ended wrench of the correct size (24 mm) to slacken the steel sleeve.
2. Completely unscrew the steel sleeve.
3. Carefully tap all residues out of the steel sleeve.
4. Unscrew the nosepiece and with a cloth, rub the steel sleeve until no traces of metallic residues remain.
5. Screw the nosepiece on again.
6. Use a ring wrench of the correct size (17 mm) to open the jaw housing and unscrew it completely.
7. Remove the three-part jaw assembly (jaws).
8. Carefully tap all residues out of the jaw housing.
9. Use a cloth sprayed with rust inhibitor to rub the jaw housing and the jaws until no traces of metallic residues remain.



Replace the jaws if they are worn.

10. Now remove the jaw pusher and its spring.
11. Clean the jaw pusher and the spring with a cloth.
12. Clean the adapter with a cloth.
13. Use a 15 mm wrench to make sure that the connecting shaft is secure.
14. Reinsert all the parts in the reverse of the disassembly procedure.



In this process, coat the jaw pusher and the jaw housing on the outside with a **Hilti** grease. Spray a drop of oil into the jaw housing.

15. Tighten the steel sleeve with an open-ended wrench of the correct size (24 mm).

7.2 Removal of metal parts from the jaw housing

1. Use an open-ended wrench of the correct size (24 mm) to slacken the steel sleeve.
2. Completely unscrew the steel sleeve.
3. Carefully tap all residues out of the steel sleeve.
4. Use a ring wrench of the correct size (17 mm) to open the jaw housing and unscrew it completely.
5. Carefully tap all residues out of the jaw housing.
 - ▶ This causes the three jaws and the metal parts to fall out.



- Reinsert all the parts in the reverse of the disassembly procedure.



Spray a drop of oil into the jaw housing.

- Tighten the steel sleeve with an open-ended wrench of the correct size (24 mm).

7.3 Check of jaw housing correct seating

- Use an open-ended wrench of the correct size to slacken the steel sleeve.
- Completely unscrew the steel sleeve.
- Check that the jaw housing is seated correctly.
- If applicable, completely screw the jaw housing back on to the adapter.
- Screw the sleeve on again.
- Use an open-ended wrench of the correct size to tighten the steel sleeve.

8 Transport and storage of cordless tools and batteries

Transport



Accidental starting during transport !

- ▶ Always transport your products with the batteries removed!
- ▶ Remove the battery/batteries.
- ▶ Never transport batteries loose and unprotected. During transport, batteries should be protected from excessive shock and vibration and isolated from any conductive materials or other batteries that may come in contact with the terminals and cause a short circuit. **Comply with the locally applicable regulations for transporting batteries.**
- ▶ Do not send batteries through the mail. Consult your shipper for instructions on how to ship undamaged batteries.
- ▶ Prior to each use and before and after prolonged transport, check the product and the batteries for damage.

Storage



Accidental damage caused by defective or leaking batteries !

- ▶ Always store your products with the batteries removed!
- ▶ Store the product and the batteries in a cool and dry place. Comply with the temperature limits stated in the technical data.
- ▶ Do not store batteries on the charger. Always remove the battery from the charger when the charging operation has completed.
- ▶ Never leave batteries in direct sunlight, on sources of heat, or behind glass.
- ▶ Store the product and batteries where they cannot be accessed by children or unauthorized persons.
- ▶ Prior to each use and before and after prolonged storage, check the product and the batteries for damage.

9 Troubleshooting

If a problem occurs, always observe the charge-status and fault indicator of the battery. See the section headed **Status indicators of the Li-ion battery**.

If the trouble you are experiencing is not listed in this table or you are unable to rectify the problem by yourself, please contact **Hilti Service**.

Trouble or fault	Possible cause	Action to be taken
Battery does not engage with an audible click.	The retaining lugs on the battery are dirty.	▶ Clean the retaining lug and re-insert the battery.
Overload LED flashes for 10 seconds.	Overload protection.	▶ Remove metallic residues. ▶ 10
Blind rivet is not set.	Battery is discharged.	▶ Change the battery and charge the empty battery.



Trouble or fault	Possible cause	Action to be taken
Blind rivet is not set.	Jaws are dirty or worn.	▶ Clean the jaws or, if applicable, replace them. 10
	Jaw housing not correctly screwed on.	▶ Screw the jaw housing on correctly. 11
	Spring weak or defective.	▶ Replace the spring. 10
No rivet mandrel disposal.	Use of the wrong nosepiece.	▶ Change the nosepiece. 9
	Nosepiece is worn.	▶ Change the nosepiece. 9
	Rivet mandrel wedged in jaws.	▶ Remove the rivet-mandrel residues from the jaw housing. 10
	Steel sleeve is dirty.	▶ Clean the steel sleeve. 10
	Mandrel container is full.	▶ Empty the mandrel container. 9

10 Disposal



WARNING

Risk of injury due to incorrect disposal! Health hazards due to escaping gases or liquids.

- ▶ DO NOT send batteries through the mail!
- ▶ Cover the terminals with a non-conductive material (such as electrical tape) to prevent short circuiting.
- ▶ Dispose of your battery out of the reach of children.
- ▶ Dispose of the battery at your **Hilti Store**, or consult your local governmental garbage disposal or public health and safety resources for disposal instructions.

Most of the materials from which **Hilti** products are manufactured can be recycled. The materials must be correctly separated before they can be recycled. In many countries, your old tools, machines or appliances can be returned to **Hilti** for recycling. Ask **Hilti Service** or your Hilti sales representative for further information.



- ▶ Do not dispose of power tools, electronic equipment or batteries as household waste!

11 Manufacturer's warranty

- ▶ Please contact your local **Hilti** representative if you have questions about the warranty conditions.

12 Further information

For more information on operation, technology, environment and recycling, follow this link: qr.hilti.com/manual/?id=2293235&id=2293236

This link is also to be found at the end of the documentation, in the form of a QR code.



1 מידע על הוראות ההפעלה

1.1 על הוראות הפעלה אלו

- **אזהרה!** לפני השימוש במוצר יש לקרוא ולהבין את הוראות הפעלה המצורפות למוצר, כולל ההערות, הוראות הבטיחות והאזהרות, האיומים והמפרטים. יש ללמוד במיוחד את כל הוראות הבטיחות, האזהרות, המפרטים והפונקציות השונות של המוצר. התעלמות מהנחיה זו מובילה לסכנת התחשמלות, שריפה ופציעות קשות. שמור את הוראות הפעלה, כולל כל הוראות הבטיחות והאזהרות לצורך שימוש בעתיד.
- המוצרים של **HILTI** מיועדים למשתמש המקצועי, ורק אנשים מורשים, שעברו הכשרה מתאימה, רשאים לתפעל, לתחזק ולתקן אותם. אנשים אלה חייבים ללמוד באופן מיוחד את הסכנות האפשריות. המוצר המתואר והעדרים שלו עלולים להיות מסוכנים כאשר אנשים שלא עברו הכשרה מתאימה משתמשים בהם באופן לא מקצועי או כאשר משתמשים בהם שלא בהתאם לייעוד.
- הוראות הפעלה המצורפות נכתבו בהתאם לידיעות הטכנולוגיות במועד השליחה לדפוס. את הגרסה העדכנית ביותר אפשר למצוא תמיד בדף המוצר של Hilti. כדי להגיע לשם, יש לסרוק את קוד ה-QR בהוראות הפעלה האלה, מסומן בסמל .
- אם אתה מעביר את המוצר לאדם אחר, מסור לו גם את הוראות הפעלה האלה.

1.2 הסבר הסימנים

1.2.1 אזהרות

האזהרות מזהירות מפני סכנות בשימוש במוצר. במדרג זה מופיעות מילות המפתח הבאות:



סכנה!

מציינת סכנה מיידית, המובילה לפציעות גוף קשות או למוות.



אזהרה!

מציינת סכנה אפשרית, שיכולה להוביל לפציעות גוף קשות או למוות.



זהירות!

מציינת מצב שעלול להיות מסוכן ולהוביל לפציעות גוף או לנזקים לרכוש.

1.2.2 סמלים בהוראות הפעלה

הסמלים הבאים מופיעים בהוראות הפעלה אלה:

	שים לב להוראות הפעלה
	הנחיות לשימוש ומידע שימושי נוסף
	טיפול נכון בחומרים למיחזור
	אין להשליך לפסולת הביתית מכשירים חשמליים וסוללות
	Hilti סוללת ליתיום-יון
	Hilti מטען

1.2.3 סמלים באיורים

הסמלים הבאים משמשים באיורים:

	מספרים אלה מפנים לאיור המתאים בתחילת הוראות הפעלה אלה.
3	המספרים באיורים מפנים לשלבי עבודה חשובים או לרכיבים חשובים לשלבי העבודה. שלבי עבודה אלה או רכיבים אלה מודגשים בטקסט במספרים מתאימים, לדוגמה (3).
11	מספרי הפריטים מופיעים באיור סקירה ותואמים את המספרים במקרא בפרק סקירת המוצר .





1.3 סמלים ספציפיים למוצר

1.3.1 סמלים על המוצר

הסמלים הבאים עשויים להופיע על המוצר:

	השתמש במגני עיניים
	השתמש במגני שמיעה
	השתמש בקסדת מגן
	זרם ישר
	המוצר תומך בטכנולוגיית NFC, התואמת את פלטפורמות iOS ו-Android.
	סוללת ליתיום-יון Li-Ion
	לעולם אין להשתמש בסוללה כפטיש.
	אין להפיל את הסוללה. אין להשתמש בסוללה שנחבטה או שניזוקה באופן אחר.

2 בטיחות

2.1 הוראות בטיחות כלליות לכלי עבודה חשמליים

⚠ אזהרה קרא את כל הוראות הבטיחות, ההנחיות, האיורים והנתונים הטכניים המצורפים לכלי העבודה החשמלי. אי ציות להנחיות עלול להוביל להתחשמלות, לשרפה ו/או לפציעות קשות.

שמור את כל הוראות הבטיחות וההנחיות לעיון בעתיד.

המונח "כלי עבודה חשמלי" המשמש בהוראות הבטיחות מתייחס לכלי עבודה חשמליים המחוברים לרשת החשמל (עם כבל חשמל) או לכלי עבודה חשמליים המופעלים באמצעות סוללה נטענת (ללא כבל חשמל).

בטיחות במקום העבודה

- ◀ **שמור על אזור העבודה שלך נקי ודאג לתאורה מספקת.** חוסר סדר או תאורה לקויה במקום העבודה עלולים לגרום לתאונות.
- ◀ **אין להפעיל את כלי העבודה החשמלי בסביבה שקיימת בה סכנת פיצוץ או שישנם בה נוזלים, גדים או אבק דליקים.** כלי עבודה חשמליים יוצרים ניצוצות, שעלולים להצית את האבק או האדים.
- ◀ **הרחק ילדים ואנשים אחרים מכלי העבודה החשמלי במהלך השימוש בו.** אם דעתך תוסח אתה עלול לאבד את השליטה במכשיר.

בטיחות בחשמל

- ◀ **תקע החשמל של כלי העבודה החשמלי חייב להתאים לשקע החשמל.** אסור לשנות בשום אופן את תקע החשמל. אל תשתמש בשקע מתאים ביחד עם כלי עבודה חשמליים הכוללים הגנת הארקה. שימוש בתקעים חשמליים שלא עברו שינוי ושקעי חשמל מתאימים מפחית את הסיכון להתחשמלות.
- ◀ **מנע מגע של הגוף בשטחים מוארקים כגון צינורות, גופי חימום, תנורים ומקררים.** קיימת סכנה גבוהה להתחשמלות כאשר הגוף שלך מוארק.
- ◀ **הרחק כלי עבודה חשמליים מגשם או רטיבות.** חדירת מים לכלי העבודה החשמלי מגדילה את הסיכון להתחשמלות.
- ◀ **אל תשתמש בכבל החשמל למטרות שלא לשמן הוא נועד, לדוגמה: אל תרים את כלי העבודה החשמלי באמצעות הכבל ואל תנסה לנתק את התקע משקע החשמל במשיכה מהכבל.** הרחק את הכבל מחום, שמן, פינות חדות או מחלקים נעים. כבלים שניזוקו או שהסתבכו בחלקים אחרים מגדילים את הסיכון להתחשמלות.
- ◀ **כאשר אתה עובד עם כלי העבודה החשמלי בחוץ, השתמש רק בכבל מאריך המיועד לשימוש חיצוני.** שימוש בכבל מאריך המתאים לשימוש חיצוני מפחית את הסיכון להתחשמלות.
- ◀ **אם לא ניתן להימנע משימוש בכלי העבודה החשמלי בסביבה לחה, השתמש בממסר פחת.** השימוש בממסר פחת מפחית את הסיכון להתחשמלות.



בטיחות של אנשים

- ▶ היה ערני, שים לב למה שאתה עושה, ופעל בתבונה כאשר אתה עובד עם כלי עבודה חשמלי. אל תפעיל כלי עבודה חשמליים כשאתה עייף או תחת השפעת סמים, אלכוהול או תרופות. די ברגע אחד של חוסר תשומת-לב בדמן השימוש בכלי העבודה החשמלי כדי לגרום פציעות קשות.
- ▶ לבש תמיד ציוד מגן ומשקפי מגן. לבישת ציוד מגן אישי, כגון מסכת אבק, נעלי בטיחות מונעות החלקה, קסדת מגן או מגני שמיעה – בהתאם לסוג השימוש בכלי העבודה החשמלי – מקטינה את הסיכון לפציעות.
- ▶ מנע הפעלה בשוגג. ודא שכלי העבודה החשמלי כבוי לפני שאתה מחבר אותו לאספקת החשמל ו/או לפני שאתה מחבר את הסוללה ולפני הרמתו. אל תניח את אצבעך על המתג בדמן שאתה נושא את המכשיר ואל תחבר אותו לאספקת החשמל כאשר הוא מופעל, אחרת עלולות להיגרם תאונות.
- ▶ הרחק כלי כוונון או מפתחות ברגים לפני שאתה מפעיל את כלי העבודה החשמלי. כלי עבודה או מפתחות הנמצאים ברקבת חלקים מסתובבים עלולים לגרום פציעות.
- ▶ הימנע מתנוחות גוף לא נכונות. עמוד באופן יציב ושומר תמיד על שיווי משקל. כך תוכל לשלוט טוב יותר בכלי העבודה החשמלי במצבים לא צפויים.
- ▶ לבש בגדים מתאימים. אל תלבש בגדים רחבים או תכשיטים. הרחק את השער, הבגדים וכפפות מחלקים נעים. בגדים רופפים, תכשיטים ושיער ארוך עלולים להיתפס בחלקים נעים.
- ▶ כאשר ניתן להתקין התקני שאיבת אבק ולכידה יש לוודא שהם מחוברים לחשמל, ויש להקפיד להשתמש בהם בצורה נכונה. שימוש בהתקן שאיבת אבק מקטין את הסכנות הנובעות מהאבק.
- ▶ אל תהיה שאנן בנושאי בטיחות ואל תתעלם מהוראות בטיחות של כלי עבודה חשמליים, גם אם השתמשת במכשיר פעמים רבות ואתה מכיר אותו היטב. התנהגות רשלנית עלולה להוביל לפציעות קשות בתוך שניות.

שימוש וטיפול בכלי העבודה החשמלי

- ▶ אל תפעיל עומס רב מדי על המכשיר. השתמש בכלי העבודה החשמלי המתאים לעבודה שאתה מבצע. כלי העבודה החשמלי המתאים מבטיח לך עבודה טובה ובטוחה יותר בתחום ההספק הנקוב.
 - ▶ אל תשתמש בכלי העבודה אם המתג שלו אינו תקין. כלי עבודה חשמלי שלא ניתן עוד להפעיל או לכבות אותו מהווה סכנה ויש לתקבו.
 - ▶ נזק את תקע החשמל מהשקע ו/או הסר את הסוללה לפני שאתה מבצע כוונונים במכשיר, מחליף כלים או לאחר שאתה מפסיק לעבוד עם המכשיר. אמצעי זהירות זה מונע הפעלה בשוגג של כלי העבודה החשמלי.
 - ▶ שמור כלי עבודה חשמליים שאינם בשימוש הרחק מהישג ידם של ילדים. אל תאפשר לאנשים שאינם יודעים כיצד להשתמש במכשיר או שלא קראו את ההוראות להשתמש במכשיר. כלי עבודה חשמליים הם מסוכנים כאשר משתמשים בהם אנשים חסרי ניסיון.
 - ▶ טפל בכלי עבודה חשמליים ובאביזרים בהקפדה. בדוק אם החלקים הנעים פועלים בצורה חלקה ואינם נתקעים, אם יישב חלקים שבורים או מקולקלים המשבשים את הפעולה התקינה של כלי העבודה החשמלי. לפני השימוש במכשיר דאג לתיקון חלקים לא תקינים. תאונות רבות נגרמו עקב תחזוקה לקינה של כלי עבודה חשמליים.
 - ▶ שמור על כלי החיתוך חדים ונקיים. כלי חיתוך מטופלים היטב, שלהביהם חדים נתקעים פחות וקלים יותר לתפעול.
 - ▶ השתמש בכלי העבודה החשמלי, באביזרים, בכלי העבודה הנוספים וכן הלאה בהתאם להוראות אלה. התחשב בתנאי העבודה ובפעולה שעליך לבצע. שימוש בכלי העבודה החשמלי למטרות אחרות מאלה שלשמן הוא מיועד עלול להיות מסוכן.
 - ▶ שמור על ידיות ואזורי אחיזה נקיים מכלוך משומן ומגריד. ידיות ואזורי אחיזה חלקים אינם מאפשרים תפעול בטוח ושליטה טובה בכלי העבודה החשמלי במצבים לא צפויים.
- ## שימוש וטיפול בכלי עבודה נטענים
- ▶ טען את הסוללות רק במטענים שהומלצו על ידי היצרן. טעינה של סוללה במטען המיועד לטעינה של סוללות מסוג אחר עלולה לגרום לשרפה.
 - ▶ השתמש לשם כך רק בסוללות המתאימות לכלי העבודה החשמלי. שימוש בסוללות אחרות עלול לגרום לשרפות.
 - ▶ שמור סוללות שאינן בשימוש הרחק ממהדיך נייר משרדיים, ממטבעות, מפתחות, מסמרים, ברגים או חפצים מתכתיים קטנים אחרים שיכולים לגשר בין המגעים. קצר בין מגעי הסוללה עלול לגרום לכוויות או לשרפה.
 - ▶ שימוש שגוי עלול לגרום זליפת נוזלים מהסוללה. אל תיגע בנוזלים אלה. אם נגעת בהם במקרה, שטוף את האזור במים. אם הנוזל נוגע בעיניים, פנה לרופא. נזל סוללות שדלף עלול לגרום לגירויים בעור ולכוויות.
 - ▶ אין להשתמש בסוללה ששונתה או שניזוקה. סוללות שניזוקו או שנערכו בהן שינויים עשויות להגיב בצורה לא צפויה ולגרום לשרפה, לפיצוץ ולפציעות.
 - ▶ אין לחשוף סוללות לאש או לטמפרטורות גבוהות. אש או טמפרטורות גבוהות מ-130°C (265°F) עלולות לגרום לפיצוץ.
 - ▶ ציית לכל ההנחיות הנוגעות לטעינה, ואף פעם אל תטען את הסוללה או את הכלי עם הסוללה בסביבה שהטמפרטורה בה נמצאת מחוץ לטווח המצוין בהוראות ההפעלה. טעינה שגויה או טעינה בטמפרטורה שנמצאת מחוץ לטווח המצוין בהוראות ההפעלה עלולה להרוס את הסוללה ולהגביר את הסיכון לשרפה.

שירות

- ▶ דאג לתיקון כלי העבודה החשמלי שלך רק בידי טכנאים מוסמכים, המשתמשים בחלקי חילוף מקוריים בלבד. כך תבטיח שמירה על בטיחות העבודה במכשיר.
- ▶ אל תטפל בעצמך בסוללות שניזוקו. רק היצרן או מעבדה מורשית מטעמו רשאים לטפל בסוללות.



בטיחות של אנשים

- ◀ אל תבצע בשום אופן שינויים או מניפולציות במוצר או באביזרים.
- ◀ השתמש במוצר ובאביזרים רק בתנאי שהם נמצאים במצב טכני מושלם.
- ◀ אין להשתמש במוצר למטרות שלא לשמן הוא יועד, אלא רק בהתאם לייעודו וכשהוא תקין לגמרי.
- ◀ המוצר מיועד אך ורק לעבודה עם מסמרות עיוורות.
- ◀ אל תשתמש במוצר בשום אופן במוצר ללא מיכל איסוף מותקן.
- ◀ ודא לפני תחילת העבודה שמיל האיסוף מחובר היטב.
- ◀ כדי למנוע פציעות יש להשתמש רק באביזרים ובחלקי חילוף מקוריים של Hilti או בשווי ערך למקוריים.
- ◀ סכנת פציעה מכלי עבודה ו/או אביזרים נופלים. לפני תחילת העבודה בדוק שהסוללה והאביזר המותקן מחוברים היטב.
- ◀ אל תשתמש במחזיק הפייה כדי להרים את המוצר.
- ◀ אל תשתמש במחזיק הפייה כדי לתלות את המוצר.
- ◀ שמור על חריצי האוויר פנויים תמיד. סכנת כויה כשחריצי האוויר נמסכים!
- ◀ השתמש רק ברכיבי חיבור שאושרו ויועדו למוצר זה.
- ◀ אל תכוון את המוצר לכיווןך או לאנשים אחרים.
- ◀ אל תצמיד את המוצר ליד או לאבר גוף אחר (או לאבר גוף של אדם אחר).
- ◀ החדר את רכיבי החיבור רק לחומר מתכתי. אל תנסה להחדיר את רכיבי החיבור לחומרים אחרים.
- ◀ לחץ על ההדק רק כאשר כשיש מגע בין המוצר לחומר והוא מוצמד לגמרי.
- ◀ בעת החדרה יש להחזיק את המוצר בזווית ישרה לחומר, כדי למנוע סטייה של רכיבי החיבור מהחומר.
- ◀ לעולם אין להחזיר אביזר חיבור באמצעות החדרה שנייה, מכיוון שזה עלול להוביל לשבירה של רכיבים.
- ◀ הדלק את המכשיר רק לאחר שהבאת אותו לעמדת העבודה.
- ◀ אל תשאיר את המוצר אף פעם ללא השגחה.
- ◀ לפני ביצוע עבודות ניקוי, טיפול ותחזוקה יש להקפיד להסיר את המסמרת.
- ◀ מוצרים ומסמרות עיוורות שאינם בשימוש יש לאחסן פרקים (המסמרת הוסרה) במקום יבש, סגור, הרחק מהישג יד של ילדים.
- ◀ אין לפרק את המוצר כאשר הוא חם; במקרה שאין ברירה, הקפד ללבוש כפפות הגנה.
- ◀ אין להשתמש במוצר אם חלקים כלשהם ניזוקו או אם רכיבי התפעול אינם פועלים באופן מושלם. פנה לשירות של Hilti כדי לתקן את המוצר.
- ◀ אל תביט ישירות לתאורה (לד) של המוצר ואל תאיר ישירות לפניהם של אנשים אחרים. סכנת סנוור.

בטיחות במקום העבודה

- ◀ שמור על סדר באזור העבודה שלך. הרחק מסביבת העבודה חפצים שעלולים לפצוע אותך.
- ◀ אהה ואנשים הנמצאים בקרבת מקום צריכים ללבוש מגני עיניים, קסדת מגן, מגני שמיעה וכפפות הגנה.
- ◀ שמור את המוצר והמסמרות העיוורות סוגרים ונעולים ותמיד הרחק מהישג יד של ילדים.
- ◀ הרחק ילדים ואנשים אחרים מאזור העבודה שלך.
- ◀ לפני החדרת רכיבים ודא שאיש אינו נמצא בצד האחורי של הפח המיועד לחיבור.

2.3 טיפול ושימוש קפדיים בסוללות נטענות

- ◀ **שים לב להוראות הבטיחות הבאות בנושא טיפול בטוח ושימוש בטוח בסוללות ליתיום-יון.** אי הקפדה עשויה להוביל לגירויים בעור, פציעות צריבה קשות, כוויות כימיות, דליקה ו/או לפיצוץ.
- ◀ השתמש רק בסוללות שנמצאות במצב טכני מושלם.
- ◀ טפל בסוללות בהקפדה כדי למנוע נזקים ולמנוע דליפה של נוזלים מסוכנים לבריאות!
- ◀ בשום אופן אסור להכניס שינויים כלשהם בסוללות!
- ◀ אין לפרק, למעוך, לחמם לטמפרטורה גבוהה מ-80°C (176°F) או לשרוף את הסוללות הנטענות.
- ◀ אל תשמש או תטען סוללות שקיבלו מכה או ניזוקו בדרך אחרת. בדוק את הסוללות שלך באופן סדיר כדי לזהות סימני נזק.
- ◀ בשום אופן אין להשתמש בסוללות ממוחדרות או מתוקנות.
- ◀ לעולם אין להשתמש בסוללה או בכלי עבודה חשמלי המופעל בסוללה כפטיש.
- ◀ לעולם אין לחשוף את הסוללה לקרינת שמש ישירה, לטמפרטורה גבוהה, לניצוצות או ללהבה גלויה. זה עלול להוביל לפיצוץ.
- ◀ אל תיגע בקוטבי הסוללה באצבעותיך, באמצעות כלי עבודה, תכשיטים או באמצעות עצמים מוליכי חשמל אחרים. זה עלול לפגוע בסוללה כמו גם לגרום נזק ופציעות.
- ◀ הרחק סוללות מרטיבות ונוזלים. חדירת לחות עלולה לגרום קצר, התחשמלות, כוויות, דליקה ופיצוץ.
- ◀ השתמש רק במטענים ובכלי עבודה חשמליים המיועדים לסוג סוללה זה. שים לב בנושא זה לדרישות המופיעות בהוראות ההפעלה המתאימות.
- ◀ אין להשתמש בסוללה בסביבה נפיצה או לאחסן אותה בסביבה נפיצה.

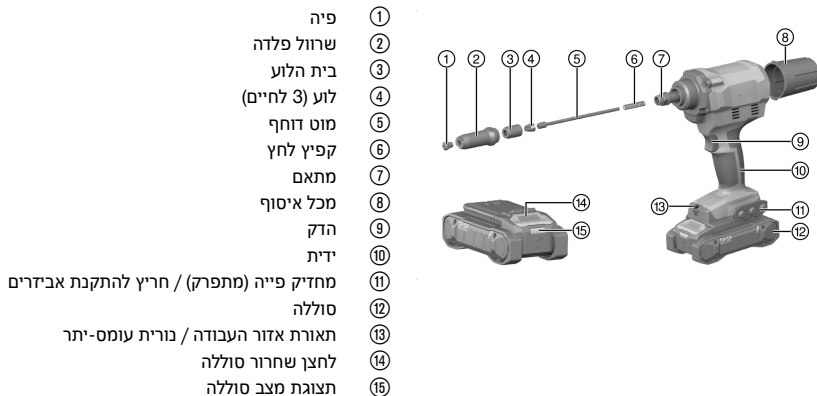


אם הסוללה חמה כל כך שלא ניתן לגעת בה, ייתכן שהיא אינה תקינה. הנח את הסוללה במקום לא דליק, גלוי, רחוק מספיק מחומרים דליקים. אפשר לסוללה להתקרר. אם כעבור שעה הסוללה עדיין חמה מדי לנגיעה, אז היא פגומה. פנה לשירות של Hilti או קרא את המסמך "הנחיות בנושא בטיחות ושימוש בסוללות ליתיום-יון של Hilti".

שים לב לתקנות המיוחדות החלות על הובלה, אחסון ושימוש בסוללות ליתיום-יון. 22 קרא את ההנחיות בנושא בטיחות ושימוש בסוללות ליתיום-יון של Hilti; אפשר להגיע אליהן דרך קוד ה-QR שבסוף הוראות אלה.

3 תיאור

3.1 סקירת המוצר



3.2 שימוש על פי הייעוד

המוצר המתואר הוא אקדח מסמרות ידני, המופעל באמצעות סוללה. המוצר מיועד אך ורק לעבודה עם מסמרות עיוורת.

- השתמש עבור מוצר זה רק בסוללות ליתיום-יון של Hilti מסדרת הדגמים B 22. כדי להשיג ביצועים אופטימליים, Hilti ממליצה להשתמש עבור מוצר זה בסוללות המצויות בסוף הוראות הפעלה האלה.
- השתמש עבור סוללות נטענות אלה רק במטענים של Hilti מסדרות הדגמים המצויות בטבלה בסוף הוראות הפעלה אלה.

3.3 מפרט אספקה

אקדח מסמרות עיוורת, 4 פיות, מפתח, מכל איסוף מתפרק, הוראות הפעלה. מוצרים נוספים המאושרים עבור המוצר שלך תמצא ב-Hilti Store או בכתובת: www.hilti.group

3.4 הגנת עומס יתר

במקרה של עומס יתר המוצר נכבה אוטומטית ונורית עומס היתר מהבהבת למשך 10 ש"ב.

בזמן זה אי אפשר להשתמש במוצר. בדרך כלל עומס יתר נגרם עקב שיירים במנגנון הלוע, לכן יש לנקות אותו בהתאם. לשם כך פעל בהתאם להנחיות להסרת שיירים בפרק טיפול ותחזוקה. לאחר הסרת החסימה המוצר אמור להיות שוב מוכן לשימוש.

3.5 תצוגות סוללת ליתיום-יון

סוללות ליתיום-יון של Hilti Nuron יכולות להציג את רמת הטעינה, הודעות שגיאה ואת מצב הסוללה.

3.5.1 תצוגות של רמת הטעינה והודעות שגיאה

אזהרה

סכנת פציעה עקב סוללה שנפלה!

לאחר לחיצה על לחצן שחרור הנעילה בסוללה מחוברת, יש לוודא שהסוללה נעלמת בחזרה במקום.



כדי לראות אחת מהתצוגות האלה, לחץ קצרות על לחצן שחרור הסוללה.
רמת הטעינה כמו גם תקלות אפשריות יוצגו ברציפות כל עוד המוצר המחובר מופעל.

מצב	משמעות
ארבע (4) נוריות מאירות ברציפות בירוק	רמת טעינה: 100% עד 71%
שלוש (3) נוריות מאירות ברציפות בירוק	רמת טעינה: 70% עד 51%
שתי (2) נוריות מאירות ברציפות בירוק	רמת טעינה: 50% עד 26%
נורית אחת (1) מאירה ברציפות בירוק	רמת טעינה: 25% עד 10%
נורית אחת (1) מהבהבת לאט בירוק	רמת טעינה: > 10%
נורית אחת (1) מהבהבת מהר בירוק	סוללת הליתיום-יון ריקה לגמרי. טען את הסוללה. אם הנורית ממשיכה להבהב גם לאחר טעינה סוללות, פנה לשירות של Hilti.
נורית אחת (1) מהבהבת מהר בצהוב	סוללת הליתיום-יון או המוצר המחובר אליה חמים מדי, קרים מדי, תחת עומס-יתר או ישנה תקלה אחרת. הבא את המוצר והסוללה לטמפרטורת העבודה המומלצת, ואל תפעיל עומס מופרד על המוצר במהלך השימוש. אם ההודעה עדיין קיימת, פנה לשירות של Hilti.
נורית אחת (1) מאירה בצהוב.	סוללת הליתיום-יון והמוצר המחובר אליה אינם תואמים. אנא פנה למעבדת שירות של Hilti.
נורית אחת (1) מהבהבת במהירות באדום	סוללת הליתיום-יון חוסמה, ואי אפשר להמשיך ולהשתמש בה. אנא פנה למעבדת שירות של Hilti.

3.5.2 תצוגות של מצב הסוללה

כדי לבדוק את מצב הסוללה, החזק את לחצן השחרור לחוץ במשך יותר משלוש שניות רצופות. המערכת אינה מזהה תקלה פוטנציאלית בתפקוד הסוללה עקב שימוש לא נכון, לדוגמה נפילה, חתכים או נדקי חום חיצוניים וכן הלאה.

מצב	משמעות
כל הנוריות מאירות כאור רץ, ולאחר מכן נורית אחת (1) מאירה ברציפות בירוק.	אפשר להמשיך ולהשתמש בסוללה.
כל הנוריות מאירות כאור רץ, ולאחר מכן נורית אחת (1) מהבהבת מהר בצהוב.	אי אפשר היה להשלים את בירור מצב הסוללה. חזור על התהליך או פנה לשירות של Hilti.
כל הנוריות מאירות כאור רץ, ולאחר מכן נורית אחת (1) מאירה ברציפות באדום.	אם עדיין אפשר להמשיך להשתמש במוצר המחובר, קיבולת הסוללה הנותרת נמוכה מ-50%. אם אי אפשר עוד להמשיך להשתמש במוצר המחובר, אד הסוללה נמצאת בסוף חיי השירות שלה ויש להחליף אותה. אנא פנה למעבדת שירות של Hilti.

4 נתונים טכניים

RT 6-22	
02	דור המוצר
21.6 וולט	מתח נקוב
1.8 ק"ג	משקל לפי EPTA Procedure 01 ללא סוללה
25 מ"מ	אורך מהלך
70 °C ... -20 °C	טמפרטורת אחסון
60 °C ... -17 °C	טמפרטורת סביבה בעבודה

4.1 סוללה בטענת

21.6 וולט	מתח עבודה עם סוללה בטענת
ראה בסוף הוראות ההפעלה האלה	משקל הסוללה
60 °C ... -17 °C	טמפרטורת סביבה בעבודה
40 °C ... -20 °C	טמפרטורת אחסון
45 °C ... -10 °C	טמפרטורת הסוללה בתחילת הטעינה



4.2 מידע על רעשים וערכי רעידות

ערכי לחץ הקול והרעידות המצוינים בהוראות אלה נמדדו בהתאם לנוהל המדידה התקני, וניתן להשתמש בהם לצורך השוואה בין כלי עבודה חשמליים. הם מתאימים גם להערכה זמנית של העומסים.

הנתונים המצוינים תקפים לשימושים העיקריים בכלי העבודה החשמלי. אולם אם משתמשים בכלי העבודה החשמלי לשימושים אחרים, בשילוב אביזרים אחרים או אם המכשיר אינו עובר תחזוקה מספקת, הנתונים עשויים להשתנות. בעקבות זאת פריסת העומסים למשך זמן העבודה כולו עשויה להיות גבוהה באופן משמעותי.

לצורך הערכה מדויקת של העומסים יש לקחת בחשבון גם את הזמנים שבהם כלי העבודה כבוי או שבהם הוא אמנם פועל אך אינו בשימוש בפועל. בעקבות זאת פריסת העומסים למשך זמן העבודה כולו עשויה להיות נמוכה באופן משמעותי.

יש לקבוע הנחיות בטיחות נוספות להגנה על המשתמש מפני ההשפעות של קול ו/או רעידות, כגון: תחזוקה של כלי העבודה החשמלי ושל כלי העבודה המחוברים, שמירה על ידיים חמות, ארגון תהליכי העבודה.

מידע מפורט על גרסאות תקני EN 62841 הישירים ומצא בתמונת הצהרת התאימות 27.



מידע על רעשים

RT 6-22	
77 dB(A)	רמת הספק קול L_{WA}
3 dB(A)	אי-ודאות ברמת הספק הקול KWA
69 dB(A)	רמת לחץ קול (L_{pA})
3 dB(A)	אי-ודאות ברמת לחץ קול KpA

מידע על רעידות

$2.5 \text{ מ}^2/\text{שני}^2$	B 22-85	ערך רעידות ah,D
$1.5 \text{ מ}^2/\text{שני}^2$		אי-ודאות בערכי הרעידות המצוינים K

4.3 התאמת פיות למסמרות שאתה עובד איתן

שם הפיה	קוטר מסמרת של כל החומרים הנפוצים
RN 2.4	2.4 מ"מ
RN 3.2	3.2 מ"מ
RN 4.0	4.0 מ"מ
RN 4.8	4.8 מ"מ
	5.0 מ"מ (מסמרות אלומיניום בלבד)

5 הכנה לעבודה

⚠ אזהרה

סכנת פציעה עקב התחלת תנועה בשוגג!

- ◀ לפני חיבור הסוללה ודא שהמוצר כבוי.
- ◀ הסר את הסוללה לפני שאתה מבצע כוונונים כלשהם במכשיר או מחליף אביזרים.

ציית להוראות הבטיחות והאזהרות שבתייעוד זה ולא להצעות המצוינות על המוצר.

5.1 טעינת סוללה

1. קרא את הוראות ההפעלה של המטען לפני הטעינה.
2. ודא שהמגעים של הסוללה ושל המטען נקיים ויבשים.
3. טען את הסוללה במטען מאושר. 17

5.2 חיבור הסוללה

⚠ אזהרה

סכנת פציעה עקב קצר או נפילת סוללה!

- ◀ לפני חיבור הסוללה ודא שהמגעים של הסוללה ושל המוצר נקיים מגופים זרים.
- ◀ ודא תמיד שהסוללה תפוסה היטב.

1. טען את הסוללה למצב מלא לגמרי לפני השימוש הראשון.



2. דחף את הסוללה למוצר עד שאתה שומע אותה נבעלת.
3. ודא שהסוללה יושבת היטב.

5.3 הסרת הסוללה

1. לחץ על לחצן השחרור של הסוללה.
2. משוך את הסוללה החוצה מהמוצר.

5.4 אבטחת נפילה

⚠ אזהרה

סכנת פציעה כשכלי העבודה ו/או האביזר נופלים!

- ◀ השתמש רק בחבל אבטחה של **Hilti** המומלץ עבור המוצר שלך.
- ◀ בדוק את נקודת החיבור של חבל האבטחה של כלי העבודה לפני כל שימוש כדי לזהות נדקים.
- ◀ אין לחבר את חבל האבטחה של כלי העבודה לוו החגורה. אין להרים את המוצר מוו החגורה.

שים לב לחוקים בנוגע לעבודה בגובה.



מותר לאבטח מוצר זה אך ורק באמצעות שילוב של רצועת האבטחה של **Hilti** עם חבל האבטחה #2261970 של **Hilti**.

- ◀ פרק את מחזיק הפייה.
- ◀ חבר את רצועת האבטחה לפתחי התקנת האביזרים. בדוק שהחיבור יציב.
- ◀ חבר שאקל אחד של חבל אבטחת כלי העבודה לרצועת האבטחה ואת השאקל השני למבנה יציב. בדוק ששני השאקלים מחוברים בצורה בטוחה.

שים לב להוראות הבטיחות של רצועת האבטחה של **Hilti** ושל חבל אבטחת כלי העבודה של **Hilti**.



5.5 החלפת פיה

⚠ זהירות

סכנת פציעה מסמרת יכולה לפצוע אותך.

- ◀ בדוק שאין מסמרת בתוך האקדח.
- 1. לחץ על ההדק והחזק אותו לחוץ.
- 2. באמצעות מפתח ברגים פתוח מתאים (מידה 12) פתח את הפיה והברג אותה החוצה.
- 3. הברג את הפיה החדשה.
- 4. הדק את הפיה באמצעות מפתח רינג מתאים.

6 תפעול

ציית להוראות הבטיחות והאזהרות שבתיעוד זה ולא לה המצוינות על המוצר.

6.1 החדרת מסמרת עיוורת

1. התקן את הפיה המתאימה לקוטר המסמרת שבשימוש.
2. הכנס את המסמרת לפיה.
3. הצמד את המוצר לחלק שבעבודה.

אפשר לחבר רק חלקים שמקדחו קודם לכן.



4. לחץ על ההדק כדי להחדיר מסמרה עיוורת.
5. הטח את המוצר אחורה כדי לסלק את קנה המסמרת השבור אל מכל האיסוף.

6.2 ריקון מכל האיסוף

⚠ זהירות

נדי רכוש ראש הלחיצה עלול להינזק והיטי להיתקע.

- ◀ רוקן את מכל האיסוף באופן סדיר (לכל המאוחר לאחר 50 החדרות).



1. טובב את מכל האיטוף נגד כיוון השעון.
2. רוקן את מכל האיטוף.
3. הברג את מכל האיטוף בחזרה על המוצר.

7 טיפול ותחזוקה

⚠ אזהרה

סכנת פציעה כאשר הסוללה מחוברת!

← לפני ביצוע עבודות טיפול ותחזוקה כלשהן יש להקפיד להסיר את הסוללה!

טיפול במוצר

- הסר בזהירות לכלוך דבוק.
- אם ישנם, נקה את חריצי האוורור בזהירות בעזרת מברשת רכה ויבשה.
- נקה את גוף המכשיר רק באמצעות מטלית לחה מעט. אל תשתמש בחומרי טיפול המכילים סיליקון, מאחר שהם עלולים לפגוע בחלקי הפלסטיק.
- נקה את המגעים באמצעות מטלית נקייה ויבשה.

טיפול בסוללות ליתיום-יון

- לעולם אין להשתמש בסוללה שחריצי האוורור שלה סתומים. נקה את חריצי האוורור בזהירות בעזרת מברשת רכה ויבשה.
- מנע חשיפת הסוללה לאבק ולכלוך שלא לצורך. בשום אופן אין לחשוף את הסוללה ללחות גבוהה (לדוגמה להטביל אותה במים או להניח אותה בגשם).
- אם הסוללה נרטבה מאוד, יש להתייחס אליה כאל סוללה פגומה. בודד אותה במיכל לא דליק ופנה לשירות של Hilti.
- שמור על הסוללה בקייה משמן וגריד לא שייכים. אל תאפשר הצטברות מיותרת של לכלוך ואבק על הסוללה. נקה את הסוללה במטלית יבשה ורכה או במטלית נקייה ויבשה. אל תשתמש בחומרי טיפול המכילים סיליקון, מאחר שהם עלולים לפגוע בחלקי הפלסטיק.
- אל תיגע במגעים של הסוללה ואל תסיר מהמגעים גריד שהושם במפעל.
- נקה את גוף המכשיר רק באמצעות מטלית לחה מעט. אל תשתמש בחומרי טיפול המכילים סיליקון, מאחר שהם עלולים לפגוע בחלקי הפלסטיק.

תחזוקה

- בדוק באופן סדיר את כל החלקים הגלויים כדי לאתר נדקים ולוודא שכל הרכיבים פועלים באופן תקין.
- אל תפעיל את המוצר אם ישנם נדקים ולא תקלות. פנה מיד לשירות של Hilti כדי לתקן את המוצר.
- לאחר עבודות טיפול ותחזוקה יש להתקיין בחזרה את כל ציוד ההגנה ולבדוק שהוא פועל בצורה תקינה.

לצורך הפעלה בטוחה של המכשיר יש להשתמש רק בחלקי חילוף וחומרים מתכלים מקוריים. את חלקי החילוף, החומרים המתכלים והאביזרים שאושרו על ידי Hilti עבור המוצר שלך תמצא ב-Hilti Store שלך או בכתובת: www.hilti.group

7.1 הסרת שיירים מתכתיים

1. באמצעות מפתח ברגים פתוח (מידה 24) שחרר את שרול הפלדה.
2. הברג החוצה עד הסוף את שרול הפלדה.
3. דפוק החוצה את שרול הפלדה בזהירות.
4. הברג החוצה את הפיה ונקה את שרול הפלדה באמצעות מטלית, עד להסרת כל שיירי המתכת.
5. הברג בחזרה את הפיה.
6. באמצעות מפתח רינג מתאים (מידה 17) פתח את בית הלוע והברג אותו החוצה לגמרי.
7. הוצא את הלוע התלת-חלקית.
8. דפוק את בית הלוע בזהירות החוצה.
9. נקה את בית הלוע ולחיי הלוע באמצעות מטלית מרוססת בחומר מונע חלודה, עד להסרת כל שיירי המתכת.

אם לחיי הלוע שחוקות, החלף אותן.

10. הוצא כעת את המוט הדוחף עם קפיץ הלחץ.
11. נקה את המוט הדוחף ואת קפיץ הלחץ באמצעות מטלית.
12. נקה את המתאם באמצעות מטלית.
13. השתמש במפתח 15 מ"מ כדי לוודא שמוט החיבור יושב יציב.
14. הרכב כעת את כל החלקים בסדר הפוך.

שמן את המוט הדוחף ואת בית הלוע בצד החיצוני באמצעות גריד של Hilti.
רסס טיפת שמן לתוך בית הלוע.



7.2 הסרת חלקי מתכת מבית הלוע

1. באמצעות מפתח ברגים פתוח (מידה 24) שחרר את שרול הפלדה.
2. הברג החוצה עד הסוף את שרול הפלדה.
3. דפוק החוצה את שרול הפלדה בזהירות.
4. באמצעות מפתח רינג מתאים (מידה 17) פתח את בית הלוע והברג אותו החוצה לגמרי.
5. דפוק את בית הלוע בזהירות החוצה.
6. שלוש לחיי הלוע וחלקי המתכת נופלים החוצה.
7. הרכב כעת את כל החלקים בסדר הפוך.



רסס טיפת שמן לתוך בית הלוע.

7. באמצעות מפתח ברגים פתוח מתאים (מידה 24) הדק את שרול הפלדה.

7.3 בדיקה שבית הלוע יושב נכון

1. באמצעות מפתח ברגים פתוח מתאים שחרר את שרול הפלדה.
2. הברג החוצה עד הסוף את שרול הפלדה.
3. בדוק שבית הלוע יושב יציב.
4. הברג את בית הלוע במקרה הצורך על המתאם עד הסוף.
5. הברג בחזרה את שרול הפלדה.
6. באמצעות מפתח ברגים פתוח מתאים הדק את שרול הפלדה.

8 הובלה ואחסון של כלי עבודה בטענים וסוללות

הובלה

⚠️ זהירות

התחלת פעולה בשוגג במהלך הובלה!

יש להוביל את המכשיר כשהסוללה מנותקת ממנו!

- ◀ הוצא את הסוללה/ות.
- ◀ לעולם אין להוביל את הסוללה בצורה חופשית בין עצמים לא ארוזים. בזמן ההובלה הסוללות צריכות להיות מוגנות מפני חבטות ורעידות רבות וכן מבודדות מפני חומרים מוליכים כלשהם או סוללות אחרות, כדי שלא ייווצר מגע בינן לבין מגעים של סוללות אחרות ועקב כך קצר. **שים לב לכללי ההובלה במדינתך בנוגע לסוללות.**
- ◀ אסור לשלוח סוללות בדואר. אם אתה רוצה לשלוח סוללות לא פגומות, פנה לשם כך לחברת משלוחים והובלות.
- ◀ בדוק אם ישנם דקים במוצר ובסוללות לפני כל שימוש וכן לפני הובלה ארוכה.

אחסון

⚠️ אזהרה

נזק לא מכוון כשהסוללות פגומות או דולפות!

יש לאחסן את המכשיר כשהסוללה מנותקת ממנו!

- ◀ אחסן את המוצר והסוללות במקום קריר ויבש. שים לב לערכי הגבול של הטמפרטורה, כמצוין בנתונים הטכניים.
- ◀ אין לאחסן סוללות על המטען. הקפד להוציא את הסוללה מהמטען בסיום תהליך הטעינה.
- ◀ לעולם אין לאחסן סוללות בשמש, על מקורות חום או מאחורי זכוכית.
- ◀ אחסן את המוצר והסוללה הרחק מהישג ידם של ילדים או אנשים לא מורשים.
- ◀ בדוק אם ישנם דקים במוצר ובסוללות לפני כל שימוש וכן לפני אחסון ממושך.

9 תיקון תקלות

בכול תקלה שים לב לתצוגות של רמת הטענה ושל התקלות בסוללה. ראה הפרק **תצוגות של סוללת הליתיום-יון**. אם מתרחשת תקלה שאינה מוסברת בטבלה זה או שאינך יכול לתקן בעצמך, פנה לשירות של Hilti.

תקלה	סיבה אפשרית	פתרון
הסוללה אינה נתפסת בצליל "קליק" ברור.	זידי הנעילה בסוללה מלוכלכים.	◀ נקה את זידי הנעילה וחבר את הסוללה מחדש.
נורית עומס היתר מהבהבת למשך 10 שניות.	הגנת עומס יתר.	◀ הסר שאריות מתכתיות. 21



תקלה	סיבה אפשרית	פתרון
לא הכנסת מסמרת.	הסוללה ריקה.	◀ החלף סוללה, וטען את הסוללה הריקה.
	לחיי הלוע מלוכלכות או בליות.	◀ נקה את לחיי הלוע או החלף אותן. 21
קנה המסמרת לא סולק.	בית הלוע לא הורכב כהלכה.	◀ הברג נכון את בית הלוע. 22
	קפיץ הלחץ רפוי או פגום.	◀ החלף את קפיץ הלחץ. 21
	השתמשת בפיה שגויה.	◀ החלף את הפיה. 20
	הפיה שחוקה.	◀ החלף את הפיה. 20
	קנה המסמרת תקוע בלוע.	◀ הסר את שיירי קנה המסמרת מבית הלוע. 22
	שרוול הפלדה מלוכלך.	◀ נקה את שרוול הפלדה. 21
	מכל האיסוף מלא.	◀ רוקן את מכל האיסוף. 20

10 סילוק

⚠ אזהרה

- סכנת פציעה בעקבות סילוק לא תקין!** סכנה בריאותית מהשתחררות גזים ונוזלים.
- ◀ אין לשלוח סוללות פגומות!
 - ◀ כסה את החיבורים באמצעות חומר לא מוליך, כדי למנוע קצר.
 - ◀ סלק סוללות כך שהן לא יוכלו להגיע לידיהם של ילדים.
 - ◀ סלק את הסוללה ב- **Hilti Store** או פנה לחברת המיחזור האחראית.

המוצרים של **Hilti** מיוצרים בחלקם הגדול מחומרים ניתנים למיחזור. כדי שניתן יהיה למחזרם דרושה הפרדת חומרים מקצועית. במדינות רבות **Hilti** תקבל את המכשיר הישן שלך בחזרה לצורך מיחזור. פנה לשירות של **Hilti** או למשווק.

◀ אין להשליך כלי עבודה חשמליים, כלים אלקטרוניים וסוללות לפסולת הביתית!

11 אחריות יצרן

- ◀ אם יש לך שאלות בנושא תנאי האחריות, אנא פנה למשווק **Hilti** הקרוב אליך.

12 מידע נוסף

מידע נוסף על ההפעלה, הטכנולוגיה, הגנת הסביבה ומיחזור תמצא בקישור הבא:
qr.hilti.com/manual/?id=2293235&id=2293236
 את הקישור הזה תמצא גם בסוף תיעוד זה בצורת קוד QR.







 **NURON**

B 22-85 (01)	0,77 kg	1.70 lb
--------------	---------	---------



C 4-22
C 6-22
C 8-22

en Declaration of conformity**Declaration of conformity**

The manufacturer declares, on his sole responsibility, that the product described here complies with the applicable legislation and standards.

The technical documentation is filed here:

Hilti Entwicklungsgesellschaft mbH | Tool Certification | Hiltistrasse 6 | D-86916 Kaufering, Germany

Product information

Blind-rivet setting tool, cordless	RT 6-22
Generation:	02
Serial number:	1-9999999999



הצהרת תאימות

היצרן מצהיר באחריותו הבלעדית כי המוצר המתואר כאן עונה על דרישות החוק התקפות והתקנים התקפים.

התיעוד הטכני שמור כאן:

Hilti Entwicklungsgesellschaft mbH | Zulassung Geräte | Hiltistraße 6 | 86916 Kaufering, Germany

נתוני המוצר

RT 6-22	אקדח חסמרות עיזרות, מופעל בסוללה
02	דור:
9999999999-1	מספר סידורי:

Hilti Corporation
Feldkircherstraße 100
9494 Schaan | Liechtenstein



RT 6-22 (02)

2006/42/EC

EN 62841-1:2015, AC:2015,

2014/30/EU

A11:2022

2011/65/EU

EN IEC 55014-1:2021

EN IEC 55014-2:2021

Schaan, 29.03.2024

Dr. Tahar Zrilli
Head of Quality and Process Management
Business Area Electric Tools & Accessories

Edward-Louis Przybylowicz
Head of BU Power Tool & Accessories
Business Area Electric Tools & Accessories



en UK Declaration of Conformity**Declaration of conformity**

The manufacturer declares, on his sole responsibility, that the product described here complies with the applicable legislation and standards.

The technical documentation is filed here:

Hilti Entwicklungsgesellschaft mbH | Tool Certification | Hiltistrasse 6 | D-86916 Kaufering, Germany

Product information

Blind-rivet setting tool, cordless	RT 6-22
Generation:	02
Serial number:	1-9999999999

Manufacturer:**Hilti Corporation**

Feldkircherstraße 100
9494 Schaan | Liechtenstein

RT 6-22 (02)

Supply of Machinery (Safety) Regulations
2008

Electromagnetic Compatibility Regulations
2016

The Restriction of the Use of Certain
Hazardous Substances in Electrical and
Electronic Equipment Regulations 2012

UK Importer:**Hilti (Gt. Britain) Limited**

No. 1 Circle Square, 3 Symphony Park
Manchester, England, M1 7FS



EN 62041-1:2015, AC:2015,

A11:2022

EN IEC 55014-1:2021

EN IEC 55014-2:2021

Schaan, 29.03.2024

Dr. Tahar Zrilli

Head of Quality and Process Management
Business Area Electric Tools & Accessories

Edward-Louis Przybyłowicz

Head of BU Power Tool & Accessories
Business Area Electric Tools & Accessories











Hilti Corporation
LI-9494 Schaan
Tel.:+423 234 21 11
Fax:+423 234 29 65
www.hilti.group



2293235